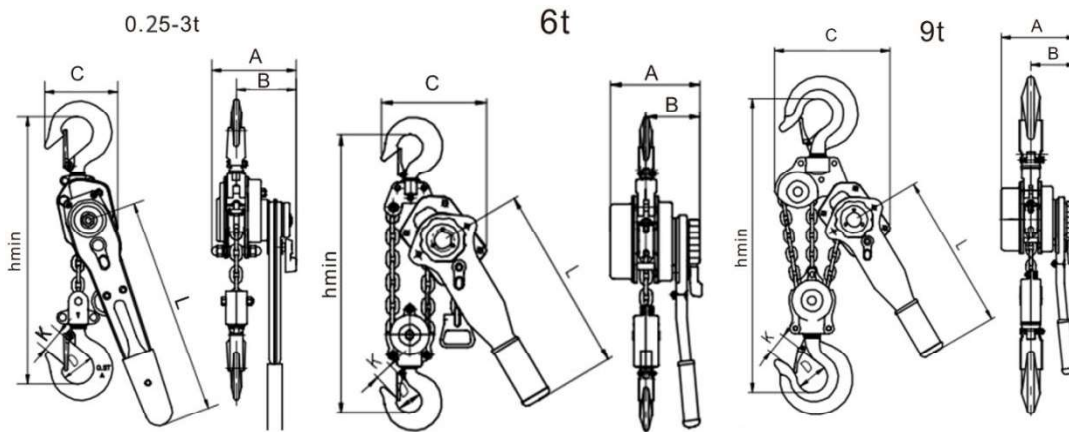




When Buying From Deso, You Are Buying More Than Products, You Are Buying Quality And Service

## LEVER BLOCK(A TYPE)

- ✓ Compact Design, Small Body, Low Headroom - Wide Usage
- ✓ Short Lever Handle, Light Operation Force
- ✓ High Precision Machining Gears
- ✓ Impact Resistance Gear Cover
- ✓ Double Pawl Brake System, Fused Brake Disc
- ✓ High Precision Caged Roller Bearing
- ✓ Chain Stopper Protects The Body
- ✓ Calibrated G80 Chain For Heavy Duty Use
- ✓ Quenched And Tempered Hooks
- ✓ Meet 1500 cycles EN 13157 Endurance Testing
- ✓ Individual Serial No. For Each Set, With Aluminium Sticker Showing Brand Deso, Capacity, Serial No.



CAPACITY (T)		0.25	0.5	0.75	1	1.5	2	3	6	9
LIFT (M)		1	1.5	1.5	1.5	1.5	1.5	1.5	1.5	1.5
TEST LOAD (kN)		3.75	7.5	11	15	22.5	25	37.5	75	112.5
PULL TO LIFT RATED LOAD(N)		250	340	140	140	220	240	320	340	360
STRANDS OF LOAD CHAIN		1	1	1	1	1	1	1	2	3
LOAD CHAIN DIA(MM)		4	5	6	6	7.1	8	10	10	10
DIMENSION (MM)	A	92	105	148	148	172	172	200	200	200
	B	72	78	90	90	98	98	115	115	115
	C	85	80	136	136	160	160	180	235	330
	D	30	35	40	40	44	46	50	64	85
	K	230	260	320	320	380	380	480	600	700
	H	160	300	280	280	410	410	410	410	410
	L	25	25	27	27	34	36	38	48	57
NET WEIGHT (KG)		1.8	4	7	7	10	11.8	17.5	28.5	45
EXTRA WEIGHT OF ONE M LIFT(KG)		0.41	0.52	0.8	0.8	1.1	1.4	2.2	4.4	6.6
PACKING SIZE (CM)		22*18*11	37*12*11	37*16*15	37*16*15	51*17*15	51*17*15	52*20*18	54*20*20	56*32*23