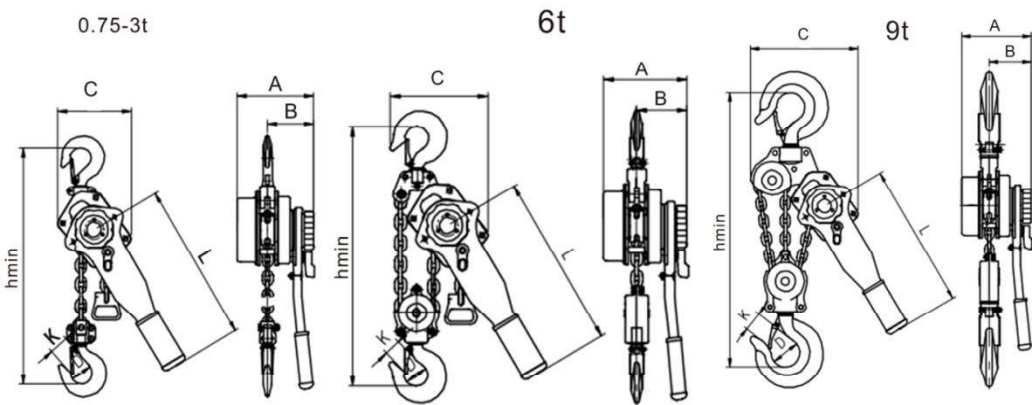




When Buying From Deso, You Are Buying More Than Products, You Are Buying Quality And Service

## LEVER BLOCK(V TYPE)

- ✓ Compact Design, Small Body, Low Headroom - Wide Usage
- ✓ With Retaining Pawl For Load Chain Fast Adjustment
- ✓ High Precision Machining Gears
- ✓ Impact Resistance Gear Cover
- ✓ Double Pawl Brake System, Fused Brake Disc
- ✓ High Precision Caged Roller Bearing
- ✓ Chain Stopper Protects The Body
- ✓ Calibrated G80 Chain For Heavy Duty Use
- ✓ Quenched And Tempered Hooks
- ✓ Meet 1500 cycles EN 13157 Endurance Testing
- ✓ Individual Serial No. For Each Set, With Aluminium Sticker Showing Brand Deso, Capacity, Serial No.



CAPACITY (T)		0.75	1	1.5	2	3	6	9
LIFT (M)		1.5	1.5	1.5	1.5	1.5	1.5	1.5
TEST LOAD (KN)		11	15	22.5	25	37.5	75	112.5
PULL TO LIFT RATED LOAD(N)		140	140	220	240	320	340	360
STRANDS OF LOAD CHAIN		1	1	1	1	1	2	3
LOAD CHAIN DIA(MM)		6	6	7.1	8	10	10	10
DIMENSION (MM)	A	148	148	172	172	200	200	200
	B	90	90	98	98	115	115	115
	C	136	136	160	160	180	235	330
	D	40	40	44	46	50	64	85
	K	320	320	380	380	480	600	700
	H	280	280	410	410	410	410	410
	L	27	27	34	36	38	48	57
NET WEIGHT (KG)		7	7	10	11.8	17.5	28.5	45
EXTRA WEIGHT OF ONE M LIFT(KG)		0.8	0.8	1.1	1.4	2.2	4.4	6.6
PACKING SIZE (CM)		37*16*15	37*16*15	51*17*15	51*17*15	52*20*18	54*20*20	56*32*23