

When Buying From Deso, You Are Buying More Than Products, You Are Buying Quality And Service

G80 CHAIN FITTING



Chongqing Deso Lifting Co., Ltd Add:9-7.No.2,Hongjin Street,Yubei District.Chongqing, China
Tel:+86 2368953066 Fax:+86 2368953166 Web:www.desolifting.com E-mail:donsion@donsion.com

When Buying From Deso, You Are Buying More Than Products, You Are Buying Quality And Service

G80 MASTER LINK (DS0801)

- Forged Alloy Steel -Quenched And Tempered
- Designed For G80 Chain EN818-2
- Safety Factor 4:1
- Individually Proof Tested at 2 Times Of The WLL
- Fatigue Tested At 1.5 Time Of The WLL By Random Pick Each Lot
- MBL Tested By Random Pick Each Lot
- 100% Magnaflux Crack Detection
- Surface Finish: Powder Coated



DRAWING	ITEM NO.	DIMENSION			WLL (T)	WEIGHT (KG)
		A	B	D		
	DS0801-76	110	60	13	1.6	0.34
	DS0801-87	110	60	16	2.12	0.54
	DS0801-108	135	75	18	3.15	0.83
	DS0801-1310	160	90	22	5.3	1.5
	DS0801-1613	180	100	26	8	2.32
	DS0801-1816	200	110	32	11.2	3.95
	DS0801-2018	260	140	36	14	6.34
	DS0801-2220	300	160	40	17	8.96
	DS0801-2622	340	180	45	21.2	12.8
	DS0801-3226	350	190	50	31.5	16.55
	DS0801-3632	400	200	56	45	23.28
	DS0801-4036	430	220	63	56	32
	DS0801-7272	460	250	72	63	45.76

G80 MASTER LINK ASSEMBLY(DS0802)

- Forged Alloy Steel -Quenched And Tempered
- Designed For G80 Chain EN818-2
- Safety Factor 4:1
- Individually Proof Tested at 2 Times Of The WLL
- Fatigue Tested At 1.5 Time Of The WLL By Random Pick Each Lot
- MBL Tested By Random Pick Each Lot
- 100% Magnaflux Crack Detection
- Surface Finish: Powder Coated



DRAWING	ITEM NO.	DIMENSION						WLL (T)	WEIGHT (KG)
		A	B	D	a	b	d		
	DS0802-07	160	95	20	110	60	13	5.5	1.9
	DS0802-08	160	95	22	140	80	16	6.65	2.82
	DS0802-10	190	110	26	160	95	20	9.4	4.87
	DS0802-13	230	130	32	190	110	26	14.2	9.38
	DS0802-16	275	150	38	230	130	30	22.3	15.28
	DS0802-20	340	180	45	230	130	32	33.5	21.78
	DS0802-22	350	190	50	275	150	38	40.8	31.52
	DS0802-26	400	200	56	340	180	45	56.8	48.92

When Buying From Deso, You Are Buying More Than Products, You Are Buying Quality And Service

G80 EYE SELF LOCK HOOK (DS0803)

- Forged Alloy Steel -Quenched And Tempered
- Designed For G80 Chain EN818-2
- Safety Factor 4:1
- Individually Proof Tested at 2 Times Of The WLL
- Fatigue Tested At 1.5 Time Of The WLL By Random Pick Each Lot
- MBL Tested By Random Pick Each Lot
- 100% Magnaflux Crack Detection
- Surface Finish: Powder Coated



DRAWING	ITEM NO.	DIMENSION						WLL (T)	WEIGHT (KG)
		Φ	L	L1	E1	M	E		
	DS0803-06	21	110	110	28	70	35	1.12	0.5
	DS0803-78	25	136	136	35	90	40	2	0.88
	DS0803-10	34.5	168	168	45	108	48	3.15	1.58
	DS0803-13	40	207	207	52.5	138.5	65	5.3	3
	DS0803-16	50	254	254	63	170.5	65	8	5.9
	DS0803-20	64.5	278	278	85	192.5	85	12.5	7
	DS0803-22	72	319	319	76	205	80	15	12.3
	DS0803-26	80	362	362	96	220	120	21.2	20
	DS0803-32	105	470	470	133	240	140	31.5	44

G80 EYE SELF LOCK HOOK (DS0804)

- Forged Alloy Steel -Quenched And Tempered
- Designed For G80 Chain EN818-2
- Safety Factor 4:1
- Individually Proof Tested at 2 Times Of The WLL
- Fatigue Tested At 1.5 Time Of The WLL By Random Pick Each Lot
- MBL Tested By Random Pick Each Lot
- 100% Magnaflux Crack Detection
- Surface Finish: Powder Coated



DRAWING	ITEM NO.	DIMENSION						WLL (T)	WEIGHT (KG)
		B	A	C	D	E	F		
	DS0804-06	32	8	35	28	99	134	1.12	0.44
	DS0804-78	38.5	9.5	39	39	119.3	161.9	2	0.8
	DS0804-10	48	12.5	48	45	142	195	3.15	1.38
	DS0804-13	59	21.2	60	52.5	180	249	5.3	2.81
	DS0804-16	77	32	65	63.3	225	310	8	6
	DS0804-1820	77	50	85	86	238	335	12.5	7.25
	DS0804-22	97.5	60	83	76	277	392	15	12.8
	DS0804-26	118	84.8	116	96	312	450	21.2	21.8
	DS0804-32	150	126	140	135	416	589.6	31.5	49.6

When Buying From Deso, You Are Buying More Than Products, You Are Buying Quality And Service

G80 EYE SLING HOOK(DS0805)

- Forged Alloy Steel -Quenched And Tempered
- Designed For G80 Chain EN818-2
- Safety Factor 4:1
- Individually Proof Tested at 2 Times Of The WLL
- Fatigue Tested At 1.5 Time Of The WLL By Random Pick Each Lot
- MBL Tested By Random Pick Each Lot
- 100% Magnaflux Crack Detection
- Surface Finish: Powder Coated



DRAWING	ITEM NO.	DIMENSION					WLL (T)	WEIGHT (KG)
		B	A	E	D	L		
	DS0805-6	9	20	21.5	20	108	1.12	0.3
	DS0805-7/8	11	25	27.5	24	133	2	0.4
	DS0805-10	15	38	27.2	38	167	3.15	0.9
	DS0805-13	19	43	38.5	51	213	5.3	2.2
	DS0805-16	23	50	42	62	255	8	3.2
	DS0805-20	24	63	44.6	74.8	305	12.5	5.8
	DS0805-22	32	62	70	68	348	15	9.2
	DS0805-26	35	64	84	84	394	21.2	13
	DS0805-32	37	68	102	100	480	31.5	18.5

G80 CLEVIS SLING HOOK(DS0806)

- Forged Alloy Steel -Quenched And Tempered
- Designed For G80 Chain EN818-2
- Safety Factor 4:1
- Individually Proof Tested at 2 Times Of The WLL
- Fatigue Tested At 1.5 Time Of The WLL By Random Pick Each Lot
- MBL Tested By Random Pick Each Lot
- 100% Magnaflux Crack Detection
- Surface Finish: Powder Coated



DRAWING	ITEM NO.	DIMENSION						WLL (T)	WEIGHT (KG)
		B	A	E	D	H	L		
	DS0806-6	32	8	26	35	23	76	1.12	0.32
	DS0806-78	37	9.5	29	37	25	86.4	2	0.48
	DS0806-10	49	12.5	39	46	31	104	3.15	0.95
	DS0806-13	56.5	16.5	47.5	56	42.5	128	5.3	1.8
	DS0806-16	70.5	21.5	56	60	54	150	8	3.4
	DS0806-20	77	24	59	79	58	180	12.5	6
	DS0806-22	91	26	72	101	62	213	15	10.4
	DS0806-26	117	30	101	115	75	250	21.2	14.5
	DS0806-32	150	35	124	140	88	317	31.5	27

When Buying From Deso, You Are Buying More Than Products, You Are Buying Quality And Service

G80 EYE GRAB HOOK(DS0807)

- Forged Alloy Steel -Quenched And Tempered
- Designed For G80 Chain EN818-2
- Safety Factor 4:1
- Individually Proof Tested at 2 Times Of The WLL
- Fatigue Tested At 1.5 Time Of The WLL By Random Pick Each Lot
- MBL Tested By Random Pick Each Lot
- 100% Magnaflux Crack Detection
- Surface Finish: Powder Coated



DRAWING	ITEM NO.	DIMENSION						WLL (T)	WEIGHT (KG)
		D	E	M	R	H	L		
	DS0807-6	13.5	8	45.5	51.4	17.9	75.3	1.12	0.14
	DS0807-78	18	10.8	53	61.5	20	91.2	2	0.245
	DS0807-10	20	13	71	80	29	122	3.15	0.65
	DS0807-13	26	16.5	90	99.7	42.8	158	5.3	1.39
	DS0807-16	30.5	20	113	104	47.7	169	8	2.2
	DS0807-20	37.5	25	143	140	56	219	12.5	4.6
	DS0807-22	44	28	160	165	68	259	15	8.2
	DS0807-26	44	30	171	188.8	77	298	21.2	9.8
	DS0807-32	57	38	229	228	95	361	31.5	19.4

G80 EYE SLING HOOK(DS0808)

- Forged Alloy Steel -Quenched And Tempered
- Designed For G80 Chain EN818-2
- Safety Factor 4:1
- Individually Proof Tested at 2 Times Of The WLL
- Fatigue Tested At 1.5 Time Of The WLL By Random Pick Each Lot
- MBL Tested By Random Pick Each Lot
- 100% Magnaflux Crack Detection
- Surface Finish: Powder Coated



DRAWING	ITEM NO.	DIMENSION					WLL (T)	WEIGHT (KG)
		A	E	H	W	L		
	DS0808-6	8	8	17.7	21.5	77.3	1.12	0.25
	DS0808-7/8	9.5	10.5	18.5	33.5	89	2	0.32
	DS0808-10	12.5	13	29	46	126	3.15	0.73
	DS0808-13	15	16.5	42.7	57.5	163.5	5.3	1.6
	DS0808-16	18.5	19	45.4	74	183.5	8	2.8
	DS0808-20	23	24	56	74	219	12.5	5
	DS0808-22	27	27	68.5	90	254	15	6.3
	DS0808-26	30	30	77	102	309	21.2	14.5

G80 EYE SWIVEL HOOK WITH LATCH(DS0809)

- Forged Alloy Steel -Quenched And Tempered
- Designed For G80 Chain EN818-2
- Safety Factor 4:1
- Individually Proof Tested at 2 Times Of The WLL
- Fatigue Tested At 1.5 Time Of The WLL By Random Pick Each Lot
- MBL Tested By Random Pick Each Lot
- 100% Magnaflux Crack Detection
- Surface Finish: Powder Coated



DRAWING	ITEM NO.	DIMENSION							WLL (T)	WEIGHT (KG)
		A	H	B	E	M	K	L		
	DS0809-6	32	9	22.5	17	16	109	137	1.12	0.34
	DS0809-8	42	15.8	35	21.5	21	150	192	2	1.02
	DS0809-10	42.5	15.8	35	26	23	162.5	208.5	3.15	1.24
	DS0809-13	48	18	39	32.5	31	191	246	5.3	3.6
	DS0809-16	62	25	53	43	34	243.5	313	8	4.66
	DS0809-20	68	28.5	51	49.5	41.5	276.5	363.5	12.5	7.4
	DS0809-22	79	32	65	54.5	55.7	332	431	15	10.6
	DS0809-26	105	40	114	81	70	429.5	545.4	21.2	21.4
	DS0809-32	105	40	96	100	76.2	465.3	596	31.5	32

G80 SELF LOCK SWIVEL HOOK (DS0810)

- Forged Alloy Steel -Quenched And Tempered
- Designed For G80 Chain EN818-2
- Safety Factor 4:1
- Individually Proof Tested at 2 Times Of The WLL
- Fatigue Tested At 1.5 Time Of The WLL By Random Pick Each Lot
- MBL Tested By Random Pick Each Lot
- 100% Magnaflux Crack Detection
- Surface Finish: Powder Coated



DRAWING	ITEM NO.	DIMENSION										WLL (T)	WEIGHT (KG)
		A	B	C	L	L1	T	Φ	E	N	M		
	DS0810-06	32.5	11.5	33.8	194	160	28	34	32	15	70	1.12	0.71
	DS0810-78	36	13	40	240	202	35	44	39	20	88	2	1.1
	DS0810-10	42	15.5	48	283	237	45	58	48	26	108	3.15	2.1
	DS0810-13	50	17	58	343	282	52.5	70	65	33	134	5.3	4
	DS0810-16	61	21.5	60	419	341.5	63.3	86	65	38	168	8	7.3
	DS0810-20	76	26.5	75.5	483	400	86	97	85	50	185	12.5	11.6
	DS0810-22	97	33	97	564	466	76	98	80	52	202	15	16
	DS0810-26	123	42	115	661	544	96	110	125	60	240	21.2	21.5

G80 EYE HOIST HOOK(DS0811)

- Forged Alloy Steel -Quenched And Tempered
- Designed For G80 Chain EN818-2
- Safety Factor 4:1
- Individually Proof Tested at 2 Times Of The WLL
- Fatigue Tested At 1.5 Time Of The WLL By Random Pick Each Lot
- MBL Tested By Random Pick Each Lot
- 100% Magnaflux Crack Detection
- Surface Finish: Powder Coated



DRAWING	ITEM NO.	DIMENSION					WLL (T)	WEIGHT (KG)
		D	E	K	H	L		
	DS0811-6	19	22	82	20.5	112	1.12	0.27
	DS0811-7/8	28	25	104.5	26	142	2	0.6
	DS0811-10	31	27	120	28	163	3.15	0.84
	DS0811-13	39	35.5	146	40	203	5.3	1.81
	DS0811-16	51	44	187.5	45	255	8	3.35
	DS0811-20	62	55	231.5	57	317	12.5	6.1
	DS0811-22	73	57	262	66	360	15	9.6
	DS0811-26	89	83	318	79.6	433	21.2	16
	DS0811-32	90	95	360	91	495.5	21.5	25.8

G80 EYE FOUNDRY HOOK (DS0812)

- Forged Alloy Steel -Quenched And Tempered
- Designed For G80 Chain EN818-2
- Safety Factor 4:1
- Individually Proof Tested at 2 Times Of The WLL
- Fatigue Tested At 1.5 Time Of The WLL By Random Pick Each Lot
- MBL Tested By Random Pick Each Lot
- 100% Magnaflux Crack Detection
- Surface Finish: Powder Coated



DRAWING	ITEM NO.	DIMENSION								WLL (T)	WEIGHT (KG)
		A	D	E	H	N	M	K	L		
	DS0812-06	39	18	63.5	31	18	25.4	120	163	1.6	1.09
	DS0812-8	39	18	63.5	31	18	25.4	120	163	2	1.09
	DS0812-10	50.8	22	76	38	23	32.6	146	200	3.2	2.03
	DS0812-13	63.5	27	89	44.5	27	38.1	171	238	5.4	3.22
	DS0812-16	76	32	102	52	32	46	198	278	8.2	5.26
	DS0812-20	89	38	114.5	65	39	55.9	232	325	12.8	9.1
	DS0812-22	102	45	127.5	69	40	57	256	361	15.5	11.3
	DS0812-26	126	66.5	140	77	45	66	283	402	21.6	16.8
	DS0812-32	151.5	81.5	153.5	97.5	58	80	327	461	32.8	26.6

G80 CHAIN CONECTING LINK(DS0813)

- Forged Alloy Steel -Quenched And Tempered
- Designed For G80 Chain EN818-2
- Safety Factor 4:1
- Individually Proof Tested at 2 Times Of The WLL
- Fatigue Tested At 1.5 Time Of The WLL By Random Pick Each Lot
- MBL Tested By Random Pick Each Lot
- 100% Magnaflux Crack Detection
- Surface Finish: Powder Coated



DRAWING	ITEM NO.	DIMENSION					WLL (T)	WEIGHT (KG)
		H	B	A	K	L		
	DS0813-06	7	7.5	15	42	58	1.12	0.08
	DS0813-7	8.5	8.5	20	54.8	73	1.5	0.145
	DS0813-7/8	8.5	9.5	20.5	60.5	79.5	2	0.146
	DS0813-8	8.5	9.5	20.5	60.5	79.5	2	0.16
	DS0813-10	11.5	12	26	68	90.5	3.15	0.30
	DS0813-13	15	15	30	87	117	5.3	0.65
	DS0813-16	19.8	19.8	35	108.4	148	8	1.15
	DS0813-18	21	21	38	112	154	10	1.84
	DS0813-20	24	24	41	121.5	169.5	12.5	2.1
	DS0813-22	26	26	49.5	141.5	193.5	15	2.87
	DS0813-26	30	31	57.5	158	220	21.2	4.5
	DS0813-32	37	38	67.5	205	281	31.5	8.21

G80 OMEGA LINK(DS0814)

- Forged Alloy Steel -Quenched And Tempered
- Designed For G80 Chain EN818-2
- Safety Factor 4:1
- Individually Proof Tested at 2 Times Of The WLL
- Fatigue Tested At 1.5 Time Of The WLL By Random Pick Each Lot
- MBL Tested By Random Pick Each Lot
- 100% Magnaflux Crack Detection
- Surface Finish: Powder Coated



DRAWING	ITEM NO.	DIMENSION							WLL (T)	WEIGHT (KG)
		K	C	A	Φ	B	H	L		
	DS0814-6	17	9	8	21.5	41	25	52	1.12	0.12
	DS0814-78	22	14	10	23.5	52	35	68.5	2	0.22
	DS0814-10	26	16	12.5	31	62	40.5	87	3.15	0.36
	DS0814-13	34	20	15	41	81	54	108	5.3	0.71
	DS0814-16	38.5	25.5	19	49.5	99	64	126	8	1.12
	DS0814-20	50	32	23	58	118	75.6	152	12.5	2.1

G80 CLEVIS CHAIN CLUTCH (DS0815)

- Forged Alloy Steel -Quenched And Tempered
- Designed For G80 Chain EN818-2
- Safety Factor 4:1
- Individually Proof Tested at 2 Times Of The WLL
- Fatigue Tested At 1.5 Time Of The WLL By Random Pick Each Lot
- MBL Tested By Random Pick Each Lot
- 100% Magnaflux Crack Detection
- Surface Finish: Powder Coated



DRAWING	ITEM NO.	DIMENSION										WLL (T)	WEIGHT (KG)
		D	C	L	P	E	H	Φ	B	A	S		
	DS0815-06	30	7.5	73.5	7.5	32.8	11.8	7.8	44	8	12	1.12	0.18
	DS0815-78	36	9.5	101	9.5	45	15.7	9.2	61.7	10.5	17	2	0.45
	DS0815-10	48	13	138	13	55	20	13.2	92	12.4	28	3.15	0.93
	DS0815-13	59	16.5	177	16.5	75	24.5	16.2	115	16	34.5	5.3	1.88
	DS0815-16	73	21	220	21	93	30.5	20	143	19.5	40	8	3.5
	DS0815-20	81	23.5	238	23.5	102	36	24.3	152	23	46	12.5	4.43
	DS0815-22	98	25.5	295	25.5	118	42	28.1	195	26	57.5	15	8.05

G80 FORGED ROUND RING (DS0816)

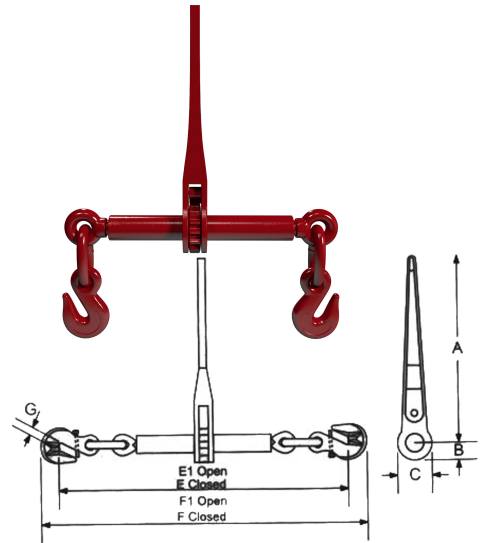
- Forged Alloy Steel -Quenched And Tempered
- Designed For G80 Chain EN818-2
- Safety Factor 4:1
- Individually Proof Tested at 2 Times Of The WLL
- Fatigue Tested At 1.5 Time Of The WLL By Random Pick Each Lot
- MBL Tested By Random Pick Each Lot
- 100% Magnaflux Crack Detection
- Surface Finish: Powder Coated



DRAWING	ITEM NO.	DIMENSION		WLL (T)	WEIGHT (KG)
		A	B		
	DS08016-3/8"	10	50	0.5	0.11
	DS08016-1/2"	13	50	1	0.21
	DS08016-5/8"	16	76	1.5	0.46
	DS08016-3/4"	19	76	2.3	0.67
	DS08016-7/8"	22	102	3.3	1.2
	DS08016-1"	25	102	4.9	1.59
	DS08016-1-1/8"	28	152	4.7	2.87
	DS08016-1-1/4"	32	127	7.7	3.1
	DS08016-1-3/8"	35	152	8.6	4.5
	DS08016-1-1/2"	38	203	11.3	6.8

G80 RATCHET TYPE LOAD BINDER (DS0817)

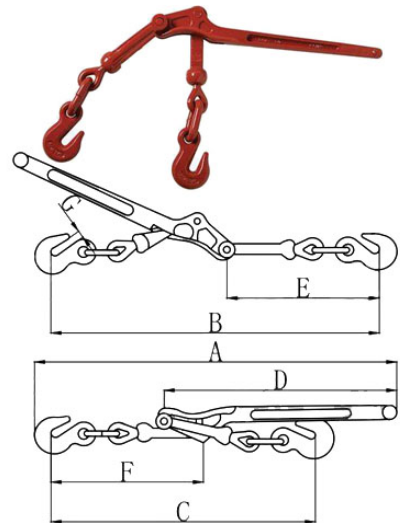
- Safety, reliable design for easy operation and release.
- Continuous take-up for infinite adjustment to load.
- Single piece forged handle, hooks and eyebolts.
- Quenched and tempered forged carbon steel for extra strength.
- No requirement for locking of handle than lever type load binder
- Power coated finish.
- Each binder individually proof tested at 2 times of working load limit.
- Safety factor at 3.5 times of working load limit.
- Standard: EN13157.



ITEM NO.	CHAIN SIZE (IN)	WLL (LBS)	PL (LBS)	MBL (LBS)	DIMENSION								N.W (LBS)
					A	B	C	E1	E	F	F1	G	
DS0817	1/4"-5/16"	2600	5200	7800	7.16	0.89	1.77	16.22	21.26	17.79	22.83	0.35	3.52
	5/16"-3/8"	5400	10800	19000	13.92	1.30	2.60	22.64	30.64	25.24	33.24	0.51	10.5
	3/8"-1/2"	9200	18400	33000	13.92	1.30	2.60	24.13	32.13	27.04	35.04	0.59	12.9
	1/2"-5/8"	13000	26000	46000	13.92	1.30	2.60	26.45	34.45	30.07	38.07	0.74	14.4

G80 LEVER TYPE LOAD BINDER (DS0818)

- Designed to take up slack and apply tension to a tie down system.
- Free 360 degrees swivel hooks for easier handling.
- Quenched and tempered forged carbon steel for extra strength.
- Power coated finish.
- Each binder individually proof tested at 2 times of working load limit.
- Safety factor at 3.5 times of working load limit.
- Standard: EN13157.



ITEM NO.	CHAIN SIZE (IN)	WLL (LBS)	PL (LBS)	MBL (LBS)	DIMENSION							N. W (LBS)
					A	B	C	D	E	F	G	
DS08-18	1/4"-5/16"	2600	5200	7800	18.5	17.3	14.2	11.4	8.27	8.07	0.35	3.52
	5/16"-3/8"	5400	10800	19000	25.2	23.2	19.5	15.6	11.2	11.2	0.51	8.37
	3/8"-1/2"	9200	18400	28000	28.5	26.4	22.1	17.6	13	12.2	0.59	12.1
				33000	28.5	26.4	22.1	17.6	13	12.2	0.59	12.2
1/2"-5/8"	11000	22000	44000	33.9	30.1	25.8	20.9	14.4	14.4	0.74	19.7	